

GLOBAL INSULATED DOORS INC.

Infitting Hinge Doors

(Model 540TN-Cooler, 840LWT-Freezer)

Architect Data Sheet

Global Insulated Doors – Global Infitting Hinge doors are engineered specific for walk in Coolers / Freezers

Global offers– Flush Sill and High Sill Hinge doors and can make custom door as per project demand



**Available
Coolers / Freezers
Flush Sill / High Sill**

GLOBAL INSULATED DOORS INC.

Door Specification:

Cooler Door - All Doors are with NON-CFC Polyurethane insulations and clad with 24 GA Whites Stucco metal both sides of the door. Cooler doors are available in 3”and 4” thickness. All standard size doors are equipped with three chrome cam lift hinges, heavy duty latch and inside palm release

Insulation – 3” thick door – R 24 & 4” thick door – R 32

Freezer Door – On addition to cooler feature

Freezer doors are available in 4” as well as 6” thickness.

Flush Sill Heater wires – Three sides on the frame and on Bottom seal of the gasket

High Sill Heater wires – All four sides on the frame

Heater connection requires 120 V, 60 Hz, Single Phase AC line

Insulation - 4” thick door – R 32 & 6” thick door – R 48

Frames –Face frames, Jambs and Back frames are constructed with 1 ½” thick Wood or Plastic.

Standard frames to be clad with 24 GA White Stucco metal. Jambs can be made per available wall thickness. Back frames to be made in one piece for easy installation.

- HDPE Solid Plastic frame option is available upon request

Seal

Floor Seal - All flush sill doors are made with skirt type grease resistant gasket which gives extra durability on any kind of cooler or freezer environment. Skirt gasket is very effective on freezer environment to keep heat between door and floor

Gasket on sides and head (bottom head for high sill door) are grease resistant self adhesive bulb gasket which effectively seal door against frame

Available Options:

- Doors and Frame Metal
 - 24 GA Stainless Steel Smooth / Stucco metal
 - 24 GA Smooth White metal
 - 24 GA Galvanized unpainted metal Smooth / Stucco
- Exit Hardware
- Door Closer
- Stainless Steel Hinges, Latch and Palm Releases
- Non Heated Vision Panel (for Cooler Application ONLY)
- Kick plates –
 - Aluminum Checker Plate
 - Stainless Steel,
 - Galvanized
- Rain Hood

Installation

- Floor under door must be level and smooth
- Wall behind face frame must be smooth in a common plane
- Before mounting the door on wall, door frame should be leveled (Horizontally & Vertically) and if required shimmed
- Header and Casings should mounted with thru bolt for support
- Apply sealant to provide vapor seal between the frames and wall
- Adjustment of door latch is at the striker (Keeper)
- Door should swing freely to open and close

Freezer

- Heater Cable is installed only on Freezer Doors
- Need 120 V AC - 1 Phase supply for heater element

GLOBAL INSULATED DOORS INC.

INFITTING SILL TYPES
(check indicales version shown)

TYPE F-1:
Flank Sill-Cooler

TYPE F-2:
Flank Sill-Freezer

TYPE H-1:
High Sill - No Jamb

TYPE H-2:
High Sill with Inside Jamb

TYPE H-3:
High Sill - Step Over

SILL DETAIL

HEAT

D

H

URETHANE
(R Value-)

INSTALLATION REQUIREMENTS

I. Floor under door must be level and smooth

II. Wall behind face frame must be smooth in a common plane.

III. Mounting holes (drilled in field - by others).

DOOR PANEL AND FRAME

A. Door Panel

- 24 GA white stucco metal
- 24 GA 304 2B stainless steel stucco metal
- 060 FRP (White stucco)
- Other

B. Face frame Wood Plastic

- 24 GA white stucco metal
- 24 GA #304 2B stainless steel stucco metal
- Other

C. Latch Padlockable Keyed Cylinder

- Polished chrome
- Stainless steel

D. Interior Release

- Mushroom button & Nylon push rod (Freez-free)
- Bump bar over mushroom button
- Panic pad (No exterior re-entry)
- Panic pad with entry lever lockset
- Kason 483 release

E. Hinge

- Cam lift polished chrome
- Cam lift stainless steel
- 1277 zinc plated finish

OPTIONS

G. Freezer Door (4" and 6" doors only)

- 115V electric defrost system at four sides of gasket contact area. Separate 115V connection required in field - by others.

H. Inside Jamb Wood Plastic

- 24 GA white stucco metal
- 24 GA #304 2B stainless steel stucco metal
- Other

I. Backframe (Mirror Image Frame)

- Wood Plastic
- 24 GA white stucco metal
- 24 GA #304 2B stainless steel stucco metal
- Other

J. Door closer

- Standard Dorex 1900 interior mounted
- LCN-1461 interior mounted
- 1097 exterior mounted

K. Wind Chain

L. Hood

- Matched to hinged panel steel
- Other

M. Kickplates Hingeside Wallside

- Height: 18" 24" 36" 48" Other
- Aluminium diamond tread (1/8" thick)
- 18 GA 304 #4 stainless steel (smooth)
- Other

N. Pilfer Proof Hardware

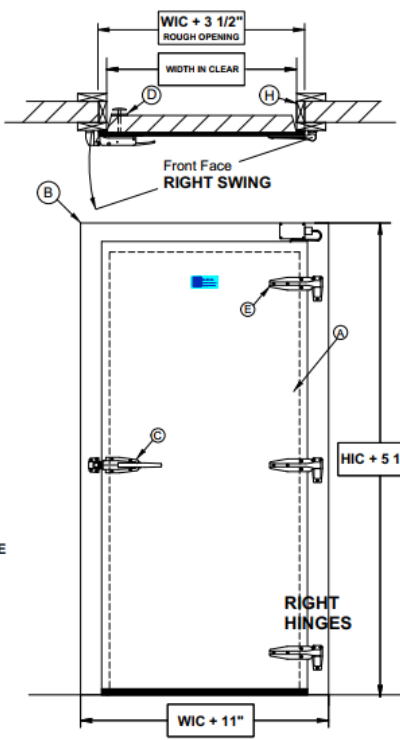
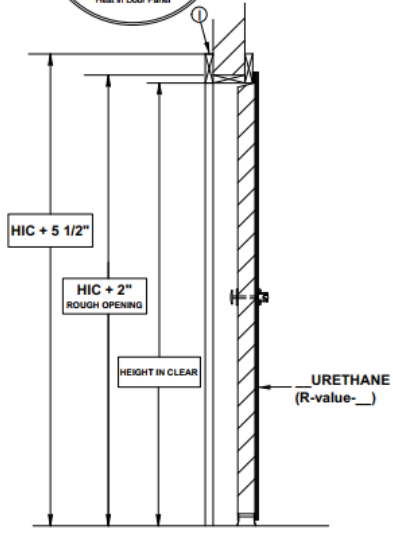
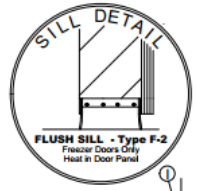
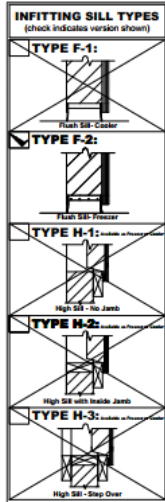
O. Vision panel

- 24" x 24" Insulated
- 24" x 24" Heated
- 15 1/2" x 15 1/2" Insulated
- 15 1/2" x 15 1/2" Heated

Required for Production				Important Factory may alter door construction and hardware from design illustrated. Factory will not exceed illustrated clearances.			

For:		P.O.:		DATE:		DRAWN BY:		APPROVED BY:	
Job:		F.O#:		TAG:		CHECKED BY:			
Door#	Qty	Width in Clear	Height in Clear	Door Type	Jamb	HINGE LOCATION	Serial Number	INFITTING HINGE DOOR COLD STORAGE DOOR SINGLE LEAF Freezer MODEL 840LWT	
				Freezer		Right			

GLOBAL INSULATED DOORS INC.



- INSTALLATION REQUIREMENTS**
- I. Floor under door must be level and smooth
 - II. Wall behind face frame must be smooth in a common plane.
 - III. Mounting holes (drilled in field - by others).
- DOOR PANEL AND FRAME**
- A. Door Panel**
- 24 GA white stucco metal
 - 24 GA #304 2B stainless steel stucco metal
 - 090 FRP (White stucco)
 - Other
- B. Face frame** Wood Plastic
- 24 GA white stucco metal
 - 24 GA #304 2B stainless steel stucco metal
 - Other
- C. Latch** Padlockable Keyed Cylinder
- Polished chrome
 - Stainless steel
- D. Interior Release**
- Mushroom button & Nylon push rod (Frost-free)
 - Bump bar over mushroom button
 - Panic pad (No exterior re-entry)
 - Panic pad with entry lever lockset
 - Kason 483 release
- E. Hinge**
- Cam lift polished chrome
 - Cam lift stainless steel
 - 1277 zinc plated finish
- OPTIONS**
- G. Freezer Door (4" and 6" doors only)**
- 115V electric defrost system at four sides of gasket contact area. Separate 115V connection required in field - by others.
- H. Inside Jamb** Wood Plastic
- 24 GA white stucco metal
 - 24 GA #304 2B stainless steel stucco metal
 - Other
- I. Backframe (Mirror Image Frame)**
- Wood Plastic
 - 24 GA white stucco metal
 - 24 GA #304 2B stainless steel stucco metal
 - Other
- J. Door closer**
- Standard Dorex 1900 interior mounted
 - LCN-1461 interior mounted
 - 1097 exterior mounted
- K. Wind Chain**
- L. Hood**
- Matched to hinged panel steel
 - Other
- M. Kickplates** Hingeside Wallside
- Height: 18" 24" 36" 48" Other
- Aluminium diamond tread (1/8" thick)
 - 18 GA 304 #4 stainless steel (smooth)
 - Other
- N. Pilfer Proof Hardware**
- O. Vision panel**
- 24" x 24" Insulated
 - 24" x 24" Heated
 - 15 1/2" x 15 1/2" Insulated
 - 15 1/2" x 15 1/2" Heated

Required for Production

Important
Factory may alter door construction and hardware from design illustrated. Factory will not exceed illustrated clearances.

For:		P.O.:	DATE:	DRAWN BY:	APPROVED BY:		
Job:		F.O#:	TAG:	CHECKED BY:			
Door#	Qty	Width in Clear	Height in Clear	Door Type	Jamb	HINGE LOCATION	Serial Number
				Freezer		Right	

INFITTING HINGE DOOR
COLD STORAGE DOOR
SINGLE LEAF Freezer
MODEL 840LWT

