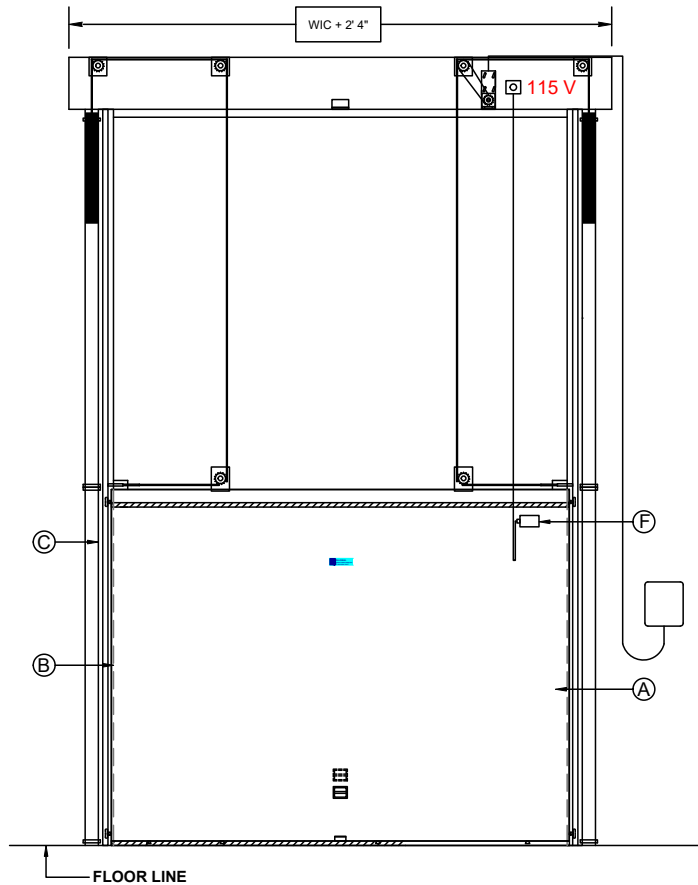
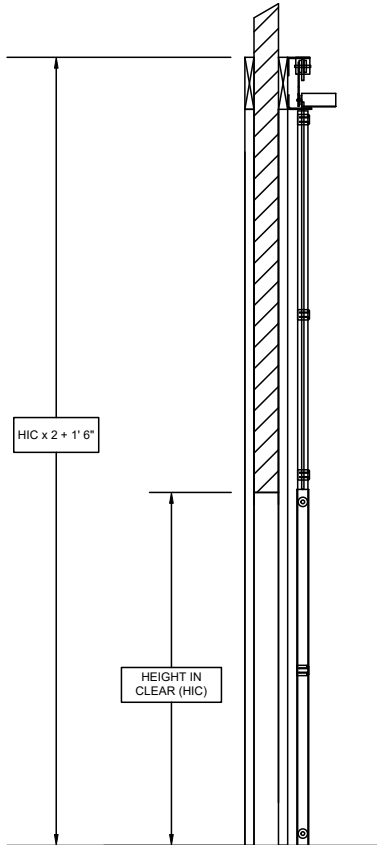
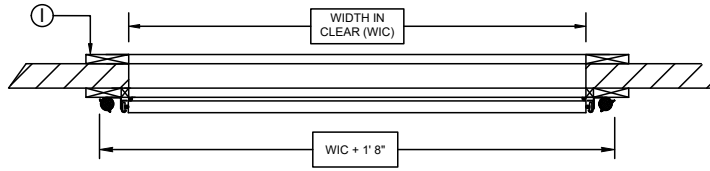


**NOTES**



**OPERATING TEMPERATURE**

DOOR	HINGE SIDE	WALL SIDE

REQUIRED FOR PRODUCTION

**IMPORTANT**

Factory may alter door construction and hardware from design illustrated. Factory will not exceed illustrated clearances.

APPROVED BY: \_\_\_\_\_ DATE: \_\_\_\_\_

Design drawings are for use to verify size, required clearances, and providing confirmation of options requested. Actual production design and components may vary but will not exceed illustrated clearances.

FOR:		P.O.:		DATE:					
JOB:		F.O.:		TAG:					
DOOR#	QTY	WIDTH IN CLEAR	HEIGHT IN CLEAR	DOOR TYPE	LOCK	OPERATOR VOLTAGE	JAMB	SLIDE	SERIAL NUMBER
				4" Freezer		Advise		Vertical	

**GLOBAL INSULATED DOORS INC.**  
1-866-684-3667

**COLD STORAGE DOOR  
VERTICAL SLIDING DOOR  
POWER 4" FREEZER  
MODEL 603LWTE**

**INSTALLATION REQUIREMENTS**

- i. Floor under door must be level and smooth.
- ii. Wall behind header and casings must be smooth and on a common plane.
- iii. Stayrollers installed in field - by others.

**POWER OPERATED DOORS**

- i. SINGLE PHASE INPUT VOLTAGE REQUIRED. (3 phase supply requires 1 capped leg). Motor and control box prewired at factory.
- ii. Safety reverse. Door will reverse to full open position and stop if object is struck while closing.

**DOOR PANEL AND FRAME**

**A. DOOR PANEL**

- 24 GA White metal
- 24 GA 304 Stainless Steel
- Other
- Stucco
- Smooth

**B. EXTRUDED ALUMINIUM DOOR FRAME**

**C. CASINGS AND HEADERS**  Wood  Plastic

- 24 GA White Metal
- 24 GA 304 Stainless Steel
- Other
- Stucco
- Smooth

**D. FASTENERS**  Galvanized  Stainless Steel

**E.  TWO STANDARD PULL CORDS**

**OPTIONS**

**F.  FREEZER DOOR (4" and 6" Doors only)**

115V electric defrost system at four sides of gasket contact area. Separate 115V connection required in field - by others.

**G.  ADDITIONAL HEATED SEALS**

**H.  JAMBS**  Wood  Plastic

- 24 GA White Metal
- 24 GA 304 Stainless Steel
- Other
- Stucco
- Smooth

**I.  BACKFRAME**  Wood  Plastic

- 24 GA White Metal
- 24 GA 304 Stainless Steel
- Other
- Stucco
- Smooth

**J.  KICKPLATE**  Outside  Inside

Height:  18"  24"  36"  48"

- Aluminum diamond thread
- 18 GA 304 #4 stainless steel (smooth)
- Other

**K.  LOCKING DEVICE**  TrackSide  Wallside

- With Power Cut off Emergency Release
- With Power Cut off no Emergency Release

**L.  VISION PANEL (24X24)**  Insulated  Heated

**M.  MOTION DETECTOR**  Open  Safety

**N.  P.O.M (Partial open mode)**

**O.  PHOTOCCELL**  Open  Safety

**P.  PUSH BUTTONS**  Single  Double  Triple

- in addition to pullcords
- in lieu of pullcords

**Q.  RADIO CONTROLS (1 Receiver - 2 Transmitters)**

**R.  TIME DELAY CLOSE**

**S.  LOOP DETECTOR**  Open  Safety