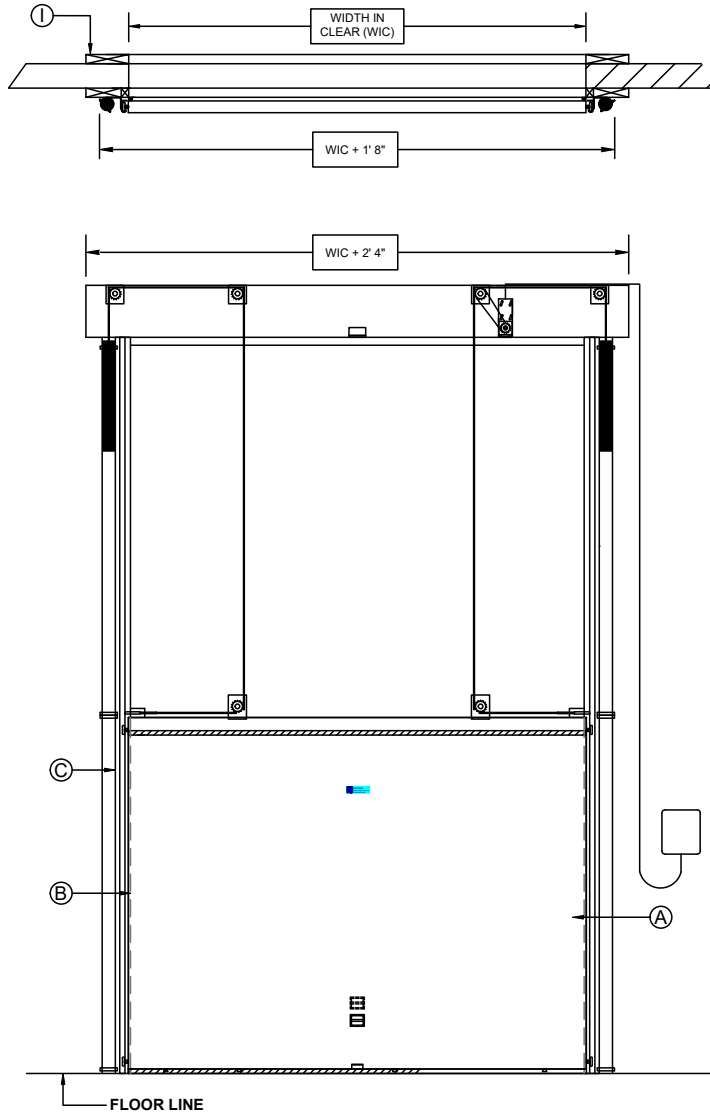


NOTES



INSTALLATION REQUIREMENTS

- i. Floor under door must be level and smooth.
- ii. Wall behind header and casings must be smooth and on a common plane.
- iii. Stayrollers installed in field - by others.

POWER OPERATED DOORS

- i. SINGLE PHASE INPUT VOLTAGE REQUIRED. (3 phase supply requires 1 capped leg). Motor and control box prewired at factory.
- ii. Safety reverse. Door will reverse to full open position and stop if object is struck while closing.

DOOR PANEL AND FRAME

A. DOOR PANEL

- 24 GA White metal
- 24 GA 304 Stainless Steel
- Other
- Stucco
- Smooth

B. EXTRUDED ALUMINIUM DOOR FRAME

C. CASINGS AND HEADERS Wood Plastic

- 24 GA White Metal
- 24 GA 304 Stainless Steel
- Other
- Stucco
- Smooth

D. FASTENERS Galvanized Stainless Steel

E. TWO STANDARD PULL CORDS

OPTIONS

F. FREEZER DOOR (4" and 6" Doors only)

115V electric defrost system at four sides of gasket contact area. Separate 115V connection required in field - by others.

G. ADDITIONAL HEATED SEALS

H. JAMBS Wood Plastic

- 24 GA White Metal
- 24 GA 304 Stainless Steel
- Other
- Stucco
- Smooth

I. BACKFRAME Wood Plastic

- 24 GA White Metal
- 24 GA 304 Stainless Steel
- Other
- Stucco
- Smooth

J. KICKPLATE Outside Inside

Height: 18" 24" 36" 48"

- Aluminum diamond thread
- 18 GA 304 #4 stainless steel (smooth)
- Other

K. LOCKING DEVICE TrackSide Wallside

- With Power Cut off Emergency Release
- With Power Cut off no Emergency Release

L. VISION PANEL (24X24) Insulated Heated

M. MOTION DETECTOR Open Safety

N. P.O.M (Partial open mode)

O. PHOTOCELL Open Safety

P. PUSH BUTTONS Single Double Triple

- in addition to pullcords
- in lieu of pullcords

Q. RADIO CONTROLS (1 Receiver - 2 Transmitters)

R. TIME DELAY CLOSE

S. LOOP DETECTOR Open Safety

OPERATING TEMPERATURE

DOOR	HINGE SIDE	WALL SIDE

REQUIRED FOR PRODUCTION

APPROVED BY: _____ DATE: _____

IMPORTANT

Factory may alter door construction and hardware from design illustrated. Factory will not exceed illustrated clearances.

Design drawings are for use to verify size, required clearances, and providing confirmation of options requested. Actual production design and components may vary but will not exceed illustrated clearances.

FOR:		P.O.:		DATE:					
JOB:		F.O.:		TAG:					
DOOR#	QTY	WIDTH IN CLEAR	HEIGHT IN CLEAR	DOOR TYPE	LOCK	OPERATOR VOLTAGE	JAMB	SLIDE	SERIAL NUMBER
				4" Cooler				Vertical	



GLOBAL INSULATED DOORS INC.
1-866-684-3667

**COLD STORAGE DOOR
VERTICAL SLIDING DOOR
POWER 4" COOLER
MODEL 603TNE**