

OPERATING TEMPERATURE		
DOOR	HINGE SIDE	WALL SIDE

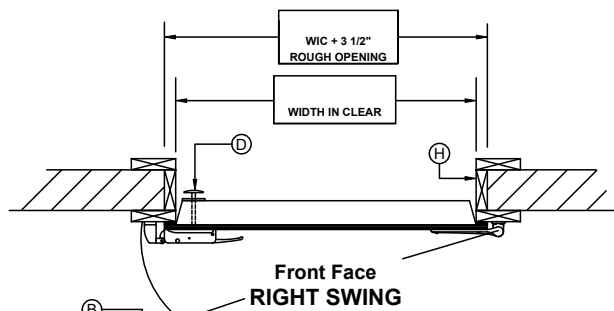
APPROVED BY: _____ DATE: _____

Design drawings are for use to verify size, required clearances, and providing confirmation of options requested. Actual production design and components may vary but will not exceed illustrated clearances.

IMPORTANT
Factory may alter door construction and hardware from design illustrated. Factory will not exceed illustrated clearances.

FOR :	P.O. #	DATE:					
JOB :	F.O. #	TAG:					
Door #	Qty	Width In Clear	Height In Clear	Door Type	Jamb	Hinge Location	Serial Number
				4" Freezer		Right Hand	

COLD STORAGE DOOR
INFITTING HINGE DOOR
SINGLE LEAF 4" Freezer
MODEL 840LWT



- INSTALLATION REQUIREMENTS**
- I. Floor under door must be level and smooth
 - II. Wall behind face frame must be smooth in a common plane.
 - III. Mounting holes (drilled in field - by others).
- DOOR PANEL AND FRAME**
- A. Door Panel**
- 24 GA White Metal
 - 24 GA 304 Stainless Steel
 - FRP (White)
 - Other
- B. Face frame**
- Plastic
 - Wood
 - 24 GA White Metal
 - 24 GA 304 Stainless Steel
 - Other
- C. Latch**
- Padlockable
 - Keyed Cylinder (Polished Chrome)
 - Polished Chrome
 - Stainless Steel
- D. Interior Release**
- Mushroom Button & Nylon Push Rod (Frost Free)
 - Bump Bar Over Mushroom Button
 - Kason 483 Release
 - Panic Pad
 - No re-Entry
 - Aluminium
 - Stainless Steel
 - With Outside Lever Lockset (Satin Chrome)
 - Passage
 - Classroom
 - Storeroom
- E. Hinge**
- Cam Lift Hinges
 - Cam Lift - Strap Hinges
 - Polished Chrome
 - Stainless Steel
- F. Fasteners**
- Galvanized
 - Stainless Steel
- OPTIONS**
- G. Freezer Door (4" and 6" doors only)**
- 115V electric defrost system at four sides of gasket contact area. Separate 115V connection required in field - by others.
- H. Jamb**
- Plastic
 - Wood
 - 24 GA White Metal
 - 24 GA 304 Stainless Steel
 - Other
- I. Backframe**
- Plastic
 - Wood
 - 24 GA White Metal
 - 24 GA 304 Stainless Steel
 - Other
- J. Door closer**
- Standard Dorex 1900 Interior Mounted
 - LCN-1461 Interior Mounted
 - Stainless Steel Dorma Interior Mounted
 - 1097 Exterior Mounted
- K. Wind Chain**
- Standard
 - Stainless Steel
- L. Hood**
- Matched To Hinged Panel Steel
 - Other
- M. Kickplate**
- Hingeside
 - Wallside
 - Height: 18" 24" 36" 48" Other
 - Aluminium Diamond Tread (1/8" thick)
 - 18 GA 304 #4 Stainless Steel (smooth)
 - Other
- N. Pilfer Proof Hardware**
- O. Vision panel**
- 24" x 24" Thermal Triple Pane
 - 24" x 24" Heated
 - 15 1/2" x 15 1/2" Thermal Triple Pane
 - 15 1/2" x 15 1/2" Heated